

# JS 2-170 T10

Qmax 50 m<sup>3</sup>/h - 833 l/min (220 USgpm) - Hmax 58 m (190 ft)

Code 10052013



Indicative picture of the product

## Self-priming centrifugal bare shaft pump

### Characteristics

The J series self-priming centrifugal pumps are used in applications where a rapid priming capacity is required from demanding suction heights combined with the ability to transfer and manage polluted fluids, dirty and abrasives with suspended large diameter solids. The system is based on an inspectable pump casing which also acts as a water tank allowing a first quick priming without auxiliary systems, simplifying management of the system and reducing the time for maintenance. Within the physically permitted suction height limits, J pumps are a more comfortable and reliable solution than submersible pumps and vertical submersed impeller pumps.

### Applications

#### Industry:

clean, dirty, sandy, muddy, neutral, alkaline, acidic liquids; low viscous petroleum products, solvents even if dirty; milk of lime, caustic soda; washing, cooling, recirculation, smoke scrubbing.

#### Treatment:

pumping polluted corrosive wastewater containing sand, mud or solids in suspension; dosing neutralizing liquids; pumping out settled sludge.

#### Naval:

loading and unloading; bilge pumping; washing, fire-fighting, stripping, sanitary duty and circulation.

#### Agriculture:

surface irrigation; liquid manure oxygenation; transfer and spraying liquid manure or fertilizers; distribution of liquid animal feed; transfer of wine must; washing.

### Product Data

Suction port

**Threaded - 2" ISO 228 (BSP)**

Delivery port

**Threaded - 2" ISO 228 (BSP)**

Qmax

**50 m<sup>3</sup>/h - 833 l/min (220 USgpm)**

Hmax

**58 m (190 ft)**

Solids handling

**13 mm (0.5 ")**

Weight

**60 kg (132 lb)**

EX version



Pump with dedicated code, including thermowell predisposition for temperature sensor and glass oiler for mechanical seal quench fluid, according to **ATEX 2014/34/EU**.

### Benefits

#### 1) Rapid self-priming

Without foot valve up to a height of 7.5 m (24.5 ft)

#### 2) High resistance

To abrasive liquids which are turbid and sandy

#### 3) Semi-open impeller

High thickness casting impact resistant

#### 4) Wear plate/plates

Easily replaceable cast iron wear plate/plates

#### 5) Easy inspection and cleaning

Removable front covers for access to the impeller

Varisco S.r.l. has certified its Quality, Environment and Safety Management System in accordance with the requirements of the international standard ISO 9001-14001-45001, recognized by the Lloyd Register.

Specification is subject to change without prior notice. Please check with your Varisco representative for the latest specifications.

Document release date: September 9<sup>th</sup> 2024

# JS 2-170 T10

## PERFORMANCE CURVES

Test according to **UNI EN ISO 9906 standard - level 2B**

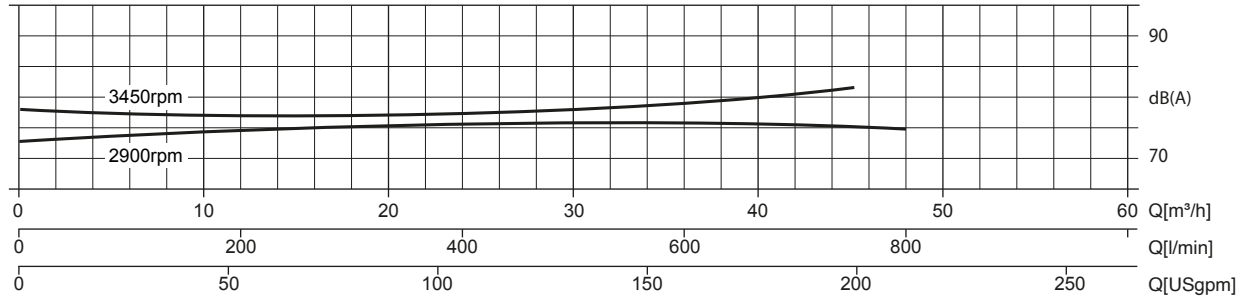
Max. applicable motor power: **11 kW - 15 HP**

Test liquid: **clean water, density 1.000 kg/m<sup>3</sup>**

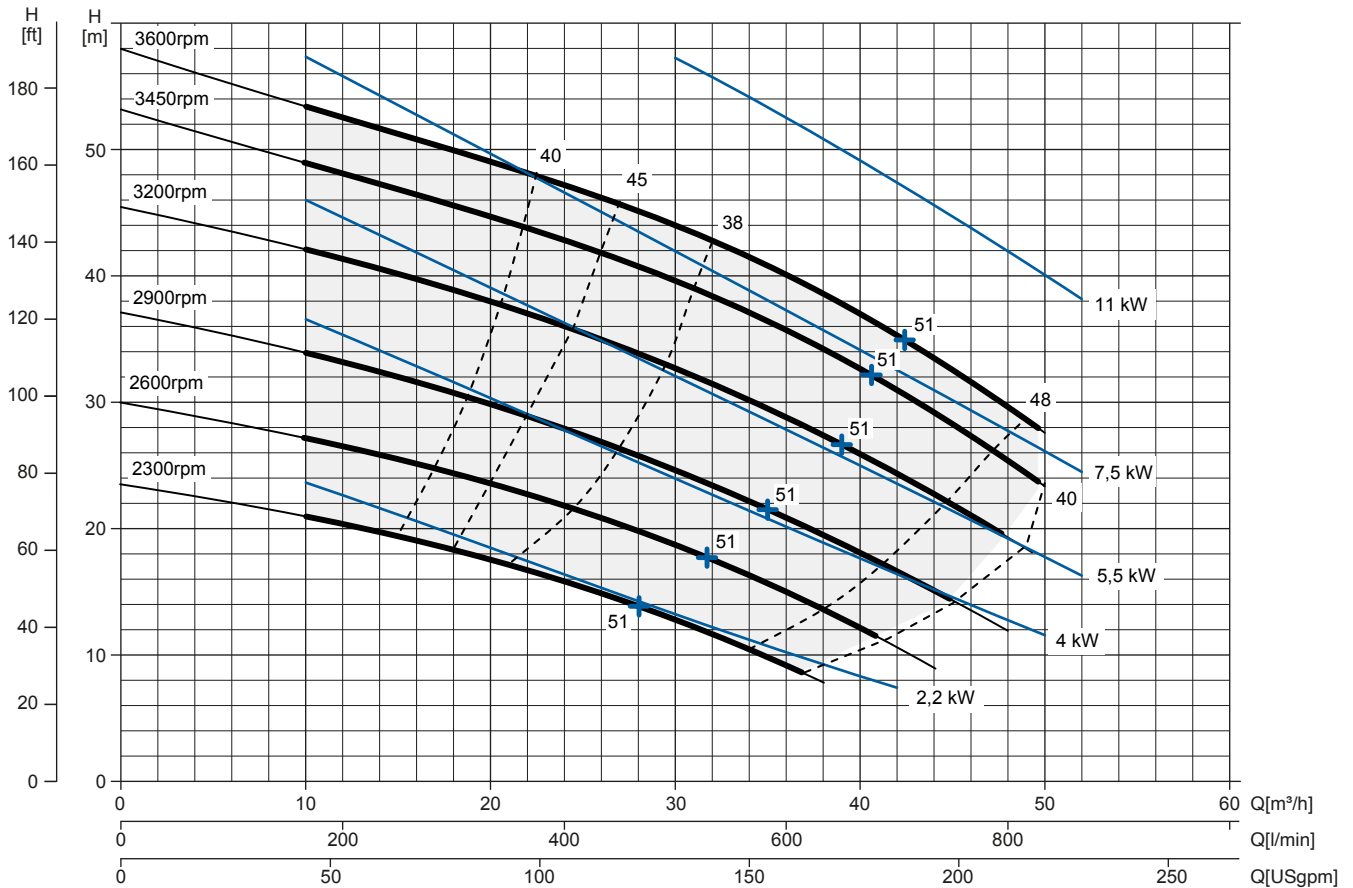
Spherical solids handling: **D.13 mm (0.5 ")**

### Noise Curve

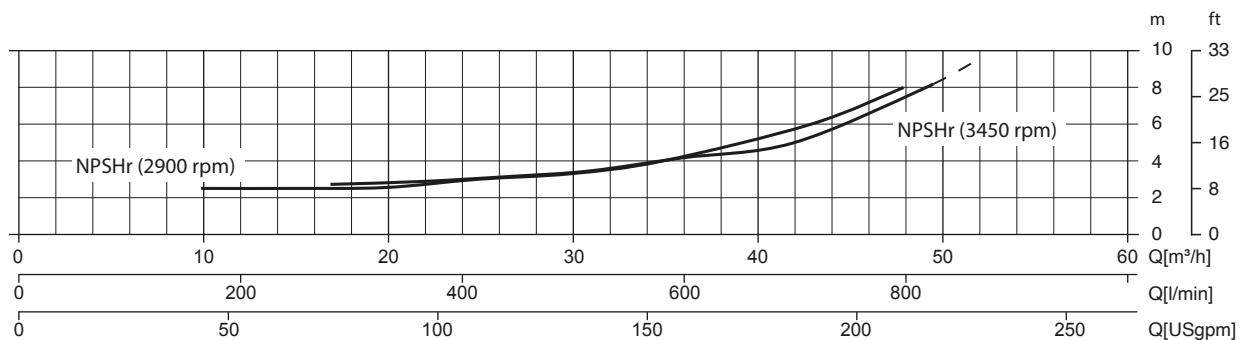
**dB(A)=max noise level at 1 m**



### Multiple Speed Curve



### NPSHr Curve



# JS 2-170 T10

## TECHNICAL DATA

### Pump

|                  |                                                                             |
|------------------|-----------------------------------------------------------------------------|
| Pump model       | JS 2-170 T10                                                                |
| Qmax [3.600 rpm] | 50 m <sup>3</sup> /h - 833 l/min (220 USgpm)                                |
| Hmax [3.600 rpm] | 58 m (190 ft)                                                               |
| Suction port     | Threaded - 2" ISO 228 (BSP)                                                 |
| Delivery port    | Threaded - 2" ISO 228 (BSP)                                                 |
| Impeller type    | Semiaperta, 3 pale                                                          |
| Solids handling  | 13 mm (0.5 ")                                                               |
| Casing           | EN 1561 EN-GJL-200 cast iron + QPQ                                          |
| Impeller         | EN 1563 EN-GJS-500 cast iron + QPQ                                          |
| Wear plate       | EN 1561 EN-GJL-200 cast iron + QPQ                                          |
| Non-return valve | check-valve, NBR                                                            |
| Shaft            | C45E EN 10083-2 steel                                                       |
| Mechanical seal  | Silicon carbide / Silicon carbide                                           |
| Elastomers       | NBR                                                                         |
| Lubrication      | Grease                                                                      |
| Bearing bracket  | EN 1561 EN-GJL-200 cast iron, with grease lubricated ball bearings for life |

QPQ: type of nitrocarburizing case hardening that increases corrosion resistance, made in three steps; nitrocarburize+oxidize, polish, and post-oxidize

### Arrangement

|                         |                                                  |
|-------------------------|--------------------------------------------------|
| Model                   | Bare shaft                                       |
| Dimensions (L x W x H)* | 294 x 545 x 388 mm (11.6 x 21.5 x 15.3")         |
| Coating                 | Polyurethane enamel, average thickness of 100 µm |
| Color                   | RAL 5010 blue (standard)                         |
| Height connection       | 0,3 m (0,95 ft)                                  |

\*without flanged ports

### Optionals

|                                               |                                              |
|-----------------------------------------------|----------------------------------------------|
| Flanged ports DN50 PN16 EN1092-2 Type B       | Complete pump set code available on request  |
| Flanged ports 2" ANSI B16.1 Class 125 R.F.    | Complete pump set code available on request  |
| Automatic mechanical seal greaser             | Code: 10008316                               |
| Thermocouple temperature sensor for ATEX pump | TC - Range temperature from 0 up to 300°C    |
| Temperature sensors for ATEX pump             | PT100 - Range temperature from 0 up to 300°C |

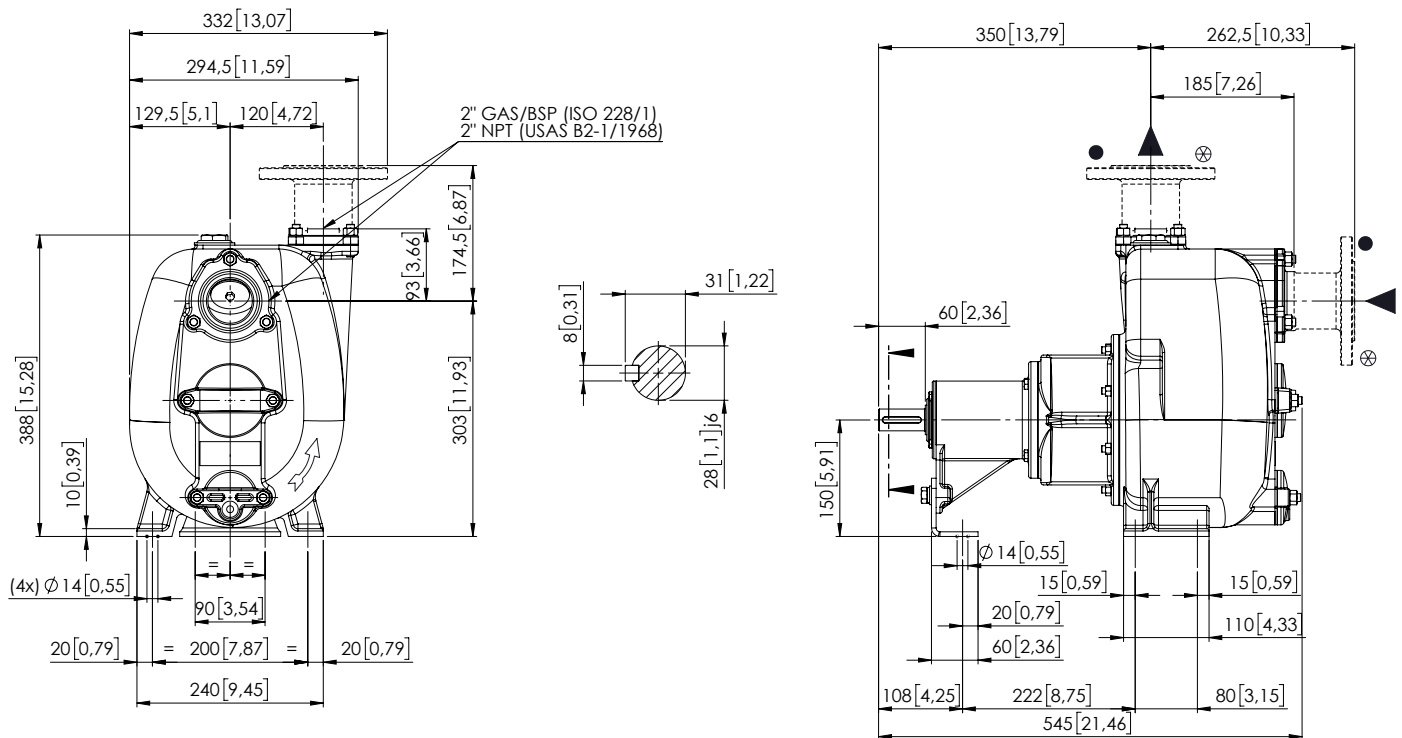
### Weight

|                               |                |
|-------------------------------|----------------|
| Net weight                    | 60 kg (132 lb) |
| Gross weight (pump + packing) | 64 kg (141 lb) |

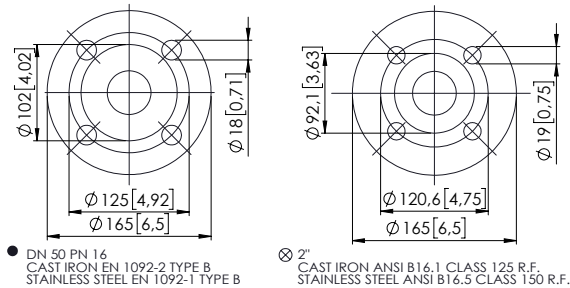
# JS 2-170 T10

## DIMENSIONS

mm [in]



FLANGIATURA SU RICHIESTA / FLANGES ON REQUEST



## PACKAGING DIMENSIONS

### Dimensions

JS 2-170 T10 (L x W x H)  
Gross weight (pump + packing)

840 x 680 x 650 mm  
64 kg (141 lb)

